

USA Incubators

The digitally controlled USA Incubators from LW Scientific are perfect for various applications such as cultures, egg incubation, test kits, fluid bag warming, and other microbiological uses in pediatric, physician, and hospital labs. This new line of incubators is designed, engineered, and assembled in the USA by LW Scientific Atlanta. They provide better temperature stability and accuracy with the digital PID microprocessor controls, and the convection heat provides excellent heat distribution and uniformity. The LED temperature display shows constant temperature in Celsius or Fahrenheit, and the aluminum and stainless steel components are corrosion resistant and easy to clean. Economical and dependable, the LW Scientific Incubator is perfect for those labs requiring better temperature accuracy and a small footprint. Our incubators offer you incomparable USA quality and efficiency for a very reasonable price!



Designed, Engineered & Assembled Proudly in America

CONSTRUCTION

Anodized aluminum and stainless steel
Acrylic see-through door
Adjustable stainless steel shelves
Suction-cupped rubber feet

TEMPERATURE

Ambient +2°C to 65°C
Accurate to +/- 0.5°C
Programmable temperature correction

CONTROLS

PID Controller
Simple keypad input
Digital LED display

ALARM

Visual alarm alerts when actual internal temperature exceeds programmed temperature

POWER

300 watt/115v AC

INCLUDED ACCESSORIES

10 Liter: 1 adjustable shelf
20 / 30 Liter: 2 adjustable shelves

USA Incubators

Model #	Description
ICL-010L-D031	Incubator, 10L (.35cu ft), Max temp 65°C (150°F), Digital Controls, 110vAC, 50/60hz
ICL-020L-D071	Incubator, 20L (.7cu ft), Max temp 65°C (150°F), Digital Controls, 110vAC, 50/60hz
ICL-030L-D101	Incubator, 30L (1.1cu ft), Max temp 65°C (150°F), Digital Controls, 110vAC, 50/60hz
ICL-010L-D032	Incubator, 10L (.35cu ft), Max temp 65°C (150°F), Digital Controls, 220vAC, 50/60hz
ICL-020L-D072	Incubator, 20L (.7cu ft), Max temp 65°C (150°F), Digital Controls, 220vAC, 50/60hz
ICL-030L-D102	Incubator, 30L (1.1cu ft), Max temp 65°C (150°F), Digital Controls, 220vAC, 50/60hz

- Designed, engineered, and assembled in the USA
- Adjustable shelves
- Capacities: 10, 20 and 30 liter



Öä dã~ ç`áÁ`K



100 Lauman Lane, Suite A, Hicksville, NY 11801
Tel: (877) 877-7274 | Fax: (516) 801-2046
Email: Info@nyscopes.com
www.microscopeinternational.com

USA Incubators

10 LITER

(.35 cu ft) capacity

Dimensions Interior:

(inches) 11.8 x 9.8 x 5.3

(mm) 300 x 250 x 135

Dimensions Exterior:

(inches) 12.9 x 11.7 x 11.7

(mm) 328 x 297 x 292

Actual Weight:

13.25lbs (6.0kg)

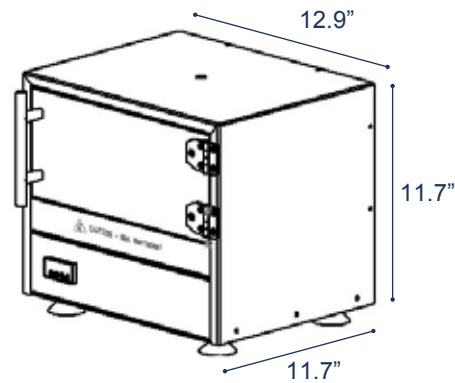
Shipping Weight:

17lbs (7.7kg)

Packaging:

(inches) 16 x 16.5 x 16

(mm) 406 x 419 x 406



20 LITER

(.7 cu ft) capacity

Dimensions Interior:

(inches) 11.8 x 9.8 x 10.6

(mm) 300 x 250 x 268

Dimensions Exterior:

(inches) 12.9 x 11.7 x 16.8

(mm) 328 x 297 x 427

Actual Weight:

14.70lbs (6.6kg)

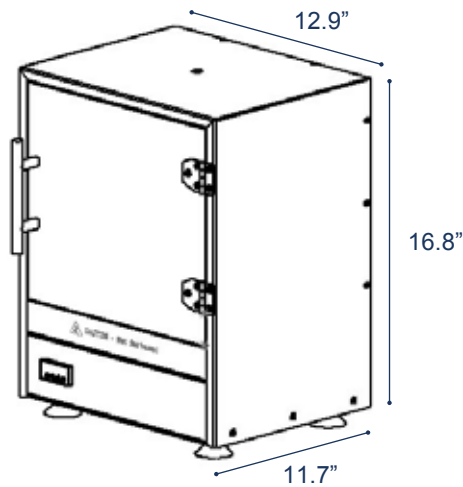
Shipping Weight:

19.45lbs (8.8kg)

Packaging:

(inches) 16 x 16.5 x 21.2

(mm) 406 x 419 x 538



30 LITER

(1.1 cu ft) capacity

Dimensions Interior:

(inches) 11.8" x 9.8" x 15.8"

(mm) 300 x 250 x 402

Dimensions Exterior:

(inches) 12.9 x 11.7 x 22

(mm) 328 x 297 x 559

Actual Weight:

17.75lbs (8.0kg)

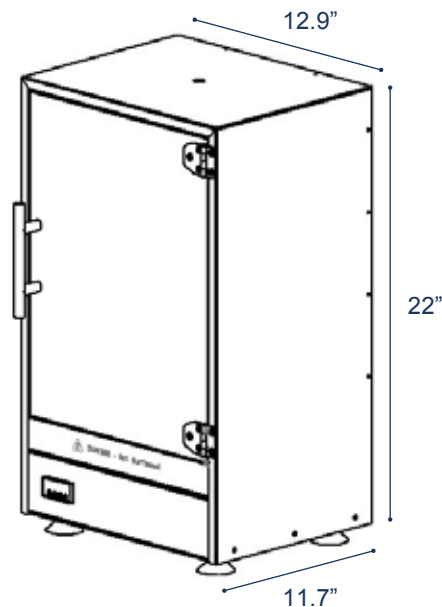
Shipping Weight:

23lbs (10.4kg)

Packaging:

(inches) 16 x 16.5 x 26.5

(mm) 406 x 419 x 673




LW
Scientific

Öäöä öäöä K


New York
Microscope
Company
Microscope Experts since 1979

100 Lauman Lane, Suite A, Hicksville, NY 11801
Tel: (877) 877-7274 | Fax: (516) 801-2046
Email: Info@nyscopes.com
www.microscopeinternational.com