

INFINITY^{lite}

1.5 Megapixel CMOS USB 2.0 Camera

Low Cost Scientific Digital Camera for Documentation in Life Science, Clinical and Material Science Applications



INFINITY^{lite}

The INFINITY^{lite} is specifically designed for the educational market as well as entry level microscopy applications. It is a compact, affordable microscopy camera that delivers outstanding image quality and excellent value. Highlights include live video preview and focus for the efficient capture of optimal images, as well as full integration to popular third-party imaging applications through our TWAIN drivers.

School districts can rest assured that an INFINITY^{lite} camera will place their students at the forefront of digital imaging technology. The imaging skills acquired by students using an INFINITY^{lite} can be directly applied throughout their careers in research, industrial or clinical microscopy.

Excellent Color Reproduction

Years of experience in the microscopy market have allowed Lumenera to develop specialized color algorithms ensuring excellent color reproduction in samples ranging from stained cells to wafer inspection.

INFINITY CAPTURE Software Included

INFINITY CAPTURE, an intuitive image capture program offering camera control, white balance, exposure controls and video production is included. Camera and software are combined to create a complete microscopy imaging solution for your application. INFINITY ANALYZE software is not included, however it can be ordered separately. Contact us for more information and pricing.

USB 2.0 Plug-and-Play Interface

Once the software has been installed, running one or more cameras on a single computer is as simple as plugging them into a high-speed USB 2.0 port. This camera is compatible with the USB 3.0 interface, supporting the existing USB 2.0 frame rates.

Third-party Software Integration

INFINITY cameras are integrated into a variety of third-party software packages through direct drivers or with TWAIN/DirectX support.

Superior Technical Assistance Center (TAC)

As a Lumenera partner you gain access to the TAC group and knowledge base which provide full support for cameras, software and microscopy applications.

Features:

- Progressive scan 1.5 megapixel CMOS sensor
- Full color sub-windowing allows for rapid focus and scanning of samples
- Software compatible with Windows 10, 8, 7, Vista, Mac OS X 10.7, 32 and 64-bit operating systems
- Includes TWAIN and DirectX/ Direct Show support

Recommended Applications:

All typical entry-level industrial, clinical and life science applications including:

- Teaching labs
- Brightfield/Darkfield
- Histology
- Pathology
- Cytology
- Defect Analysis
- Veterinary Pathology
- Geology
- Histology
- Semiconductor Inspection
- Documentation
- DIC
- Live Cell Imaging

Warranty

- Four (4) year warranty



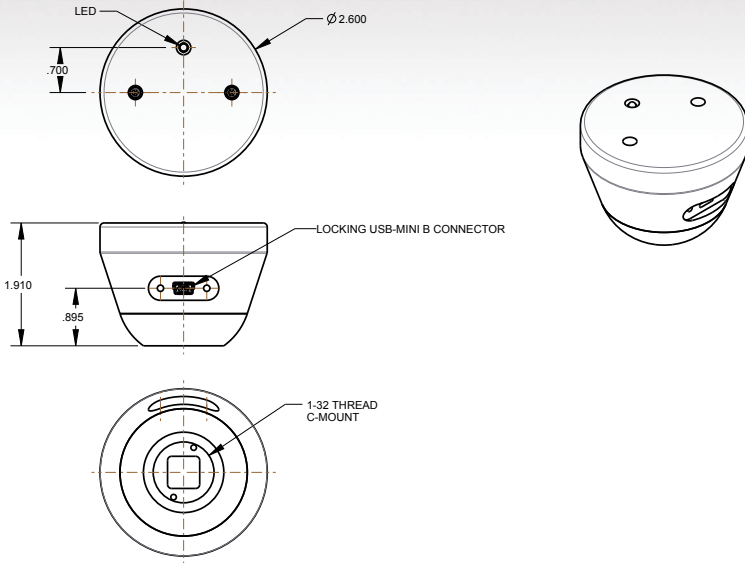
Öä dā~ ɑ̄ÁÁˆK



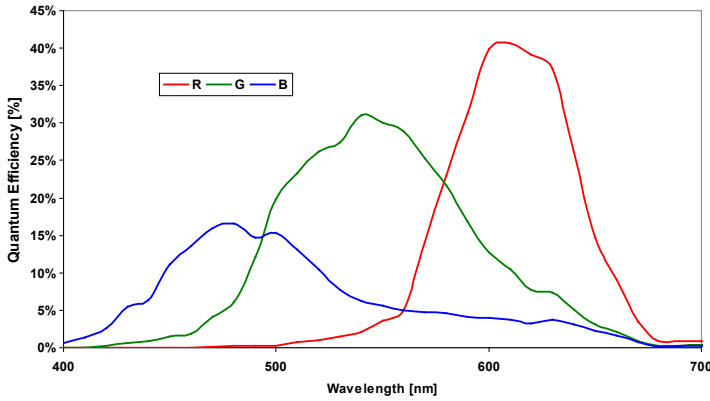
Microscope Experts since 1979

100 Lauman Lane, Suite A, Hicksville, NY 11801
Tel: (877) 877-7274 | Fax: (516) 801-2046
Email: Info@nyscopes.com
www.microscopeinternational.com

Mechanical Drawing



Quantum Efficiency Curves



| Sensor Specifications | |
|-----------------------------|---|
| Image Sensor | CMOS, color, progressive scan |
| Optical Format | 1/2 " |
| Imager Size | Diagonal 8.4 mm |
| Pixel Size | 4.2 x 4.2 μm |
| Resolution | 1440 x 1080 pixels |
| Region of Interest Control | Any multiple of 8 x 8 pixels, 32 x 32 pixels minimum |
| Camera Specifications | |
| Frame Rate | 10 fps |
| Bit Depth | 8-bits |
| Binning / Subsampling Modes | 2x subsampling mode |
| Exposure | Manual and automatic control |
| Exposure Range | 81 μs to 339 ms (video), 81 μs to 339 ms (snapshot) |
| Gain | Manual and automatic control |
| Gain Range | 1 to 7.75 x |
| White Balance | Manual and automatic control |
| Camera Characteristics | |
| Sensitivity | 2.2DN/(nJ/cm ²) [at 8-bit, 1x gains] |
| Dynamic Range | 47.5 dB |
| Pixel Well Depth | 12,600 e- |
| Quantum Efficiency | 40% (red - peak) |
| Read Noise | 53 e- |
| Dark Current Noise | <8 e-/s |
| Mechanical Specifications | |
| Data Interface | USB 2.0 |
| Lens Mount | C-Mount standard |
| Dimensions | 66 x 48.5 mm 2.60 x 1.91 inch |
| Mass | 245 grams |
| Operating Temperature | 0 to 50 °C |
| Storage Temperature | -30 to 70 °C |
| Operating Humidity | 5 to 95%, non-condensing |
| Shock / Vibration | 50 G shock, 5 G (2-200 Hz) vibration |
| Onboard Memory | Camera has onboard non-volatile memory storage |
| Camera Software | |
| Operating Systems | Windows 10, 8, 7, Vista, Mac OS X 10.7, 32 and 64-bit |
| Power and Emissions | |
| Power Consumption | ~2.5 W |
| Power Requirement | USB bus power only |
| Emissions Compliances | FCC Class BE, CE Certified |
| Hazardous Materials | RoHS, WEEE Compliant |
| Warranty | Four (4) year |
| System Requirements | |
| Recommended PC Specs: | <ul style="list-style-type: none"> • Pentium 4, 1.3 GHz or higher • 512 MB RAM • 500 MB hard drive free space or more • USB 2.0 Port • Windows 10, 8, 7, Vista, Mac OS X 10.7, 32 and 64-bit |
| Included In The Box | |
| INFINITY <i>liteB</i> | 1.5 MP digital camera + 3m USB 2.0 cable |
| LuINFLTSW-DVD | DVD with INFINITY <i>lite</i> user application software, TWAIN driver and documentation |
| Ordering Information | |
| INFINITY <i>liteB</i> | 1.5 megapixel CMOS Camera |
| Ordering Options | |
| LuSDK | Software Developer's Kit (Web Download) |
| Lu927 | INFINITY ANALYZE Software |



100 Lauman Lane, Suite A, Hicksville, NY 11801
 Tel: (877) 877-7274 | Fax: (516) 801-2046
 Email: Info@nyscopes.com
www.microscopeinternational.com