

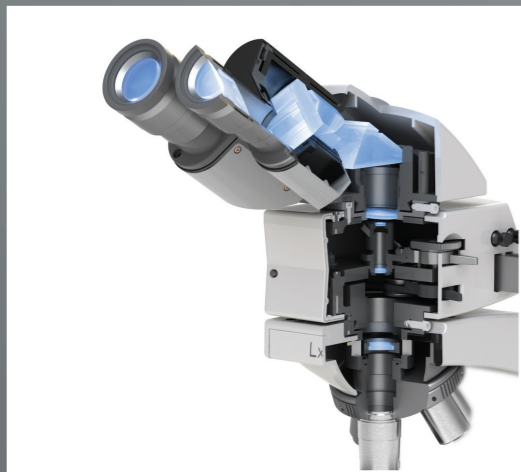
# Lx POL

POLARIZING MICROSCOPE





# REDEFINING EARTH AND MATERIALS SCIENCES



The highly streamlined Lx POL delivers reliability and comfort through user-friendly design and precision engineering. Tight design tolerances and the SF (Strain Free) optical system produce true polarization. A combination of an optical grade polarizer with high extinction properties, individually centerable POL objectives, and a perfectly matched analyzer provide outstanding contrast and clarity.



For precise conoscopic imaging, an integrated module with focusable Bertrand Lens is provided between the viewing body and the specimen. Centration of the Bertrand Lens is achieved through easily accessible centering screws. Parking slots are built into the analyzer module for convenient storage of allen key drivers that facilitate centering of the analyzer and the objectives.



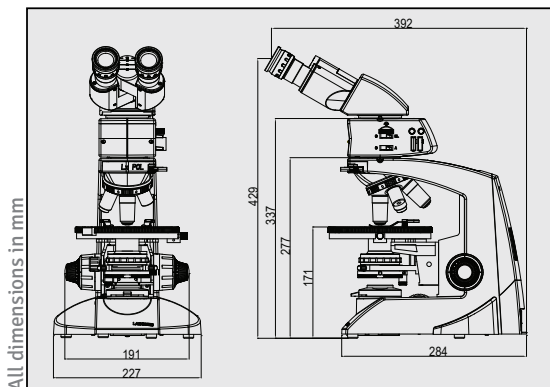
*Two compensator plate slots and two centering tool slots are located onboard the analyzer/Bertrand lens module to prevent unwanted loss of accessories.*



The Lx POL comes equipped with *MaxLite™* coated optics, a sputtered hard coating technology. This process ensures optics are free from stress-birefringence, often caused by thermal evaporation coatings used in most traditional microscopes. This ensures pristine polarized light required for earth and material sciences. All optical modules are treated to minimize stray light, further increasing resolution, clarity and overall optical performance.

# Lx POL

<b>Stand</b>	Single mold sturdy stand with anti rust materials. Extended base for greater stability.
<b>Viewing Body</b>	Siedentopf Binocular or Trinocular head; 30° inclined, fixed; IPD 52-75 mm
<b>Eyepiece</b>	Focusable Wide Field eyepiece 10x/20mm with foldable eye guard. Factory installed fixed-verticality crosshair in one eyepiece.
<b>Nosepiece</b>	Reverse angle quadruple nosepiece (ball bearing type) with click stops, featuring independently centerable objectives
<b>Analyzer</b>	Adjustable analyzer with centration screws. Focusable Bertand lens. Slider slots and spare slider holders. Comes equipped with Lambda, 1/4 Lambda and Quartz Wedge plates.
<b>Polarizer</b>	Rotating polarizer with orientation markers at every 90°
<b>Objectives</b>	SF series infinity corrected DIN Plan Achromatic objectives: 4x (WD 30.0mm), 10x (WD 7.00mm), 40x (WD 0.65 mm); Optional 100x (WD 0.23mm) spring loaded, oil objective
<b>Circular Stage</b>	360° rotatable stage, 160mm with one degree increments and spring clips
<b>Condenser</b>	0.9 NA centerable strain free condenser
<b>Focusing</b>	Feather touch attrition-free coaxial coarse and fine focus adjustment with auto tension adjustment for longer life and ultra smooth movement. Weighted fine focus.
<b>Illumination</b>	Halogen 6V-30W with one installed bulb. Koehler field diaphragm.
<b>Electrical</b>	Universal input 100V - 240V AC, 50/60Hz. Built-in voltage sensing power supply.



## DESCRIPTION

Lx POL Binocular  
Lx POL Trinocular

## CONFIGURATION

Binocular Head  
Trinocular Head

## CATALOG NO.

9151000  
9152000



Labo America, Inc.  
920 Auburn Court  
Fremont, CA 94538

Tel: (510) 445-1257  
Fax: (510) 445-1317  
E-mail: sales@laboamerica.com

[www.laboamerica.com](http://www.laboamerica.com)

With a policy of continuous development, Labo America, Inc. reserves the right to change design and specifications without prior notice.

**LABOMED** 

## Distributor



100 Lauman Lane, Suite A, Hicksville, NY 11801  
Tel: (877) 877-7274 | Fax: (516) 801-2046  
Email: Info@nyscopes.com  
www.microscopeinternational.com

