



ACCU-SCOPE®

MICROSCOPY & IMAGING SOLUTIONS

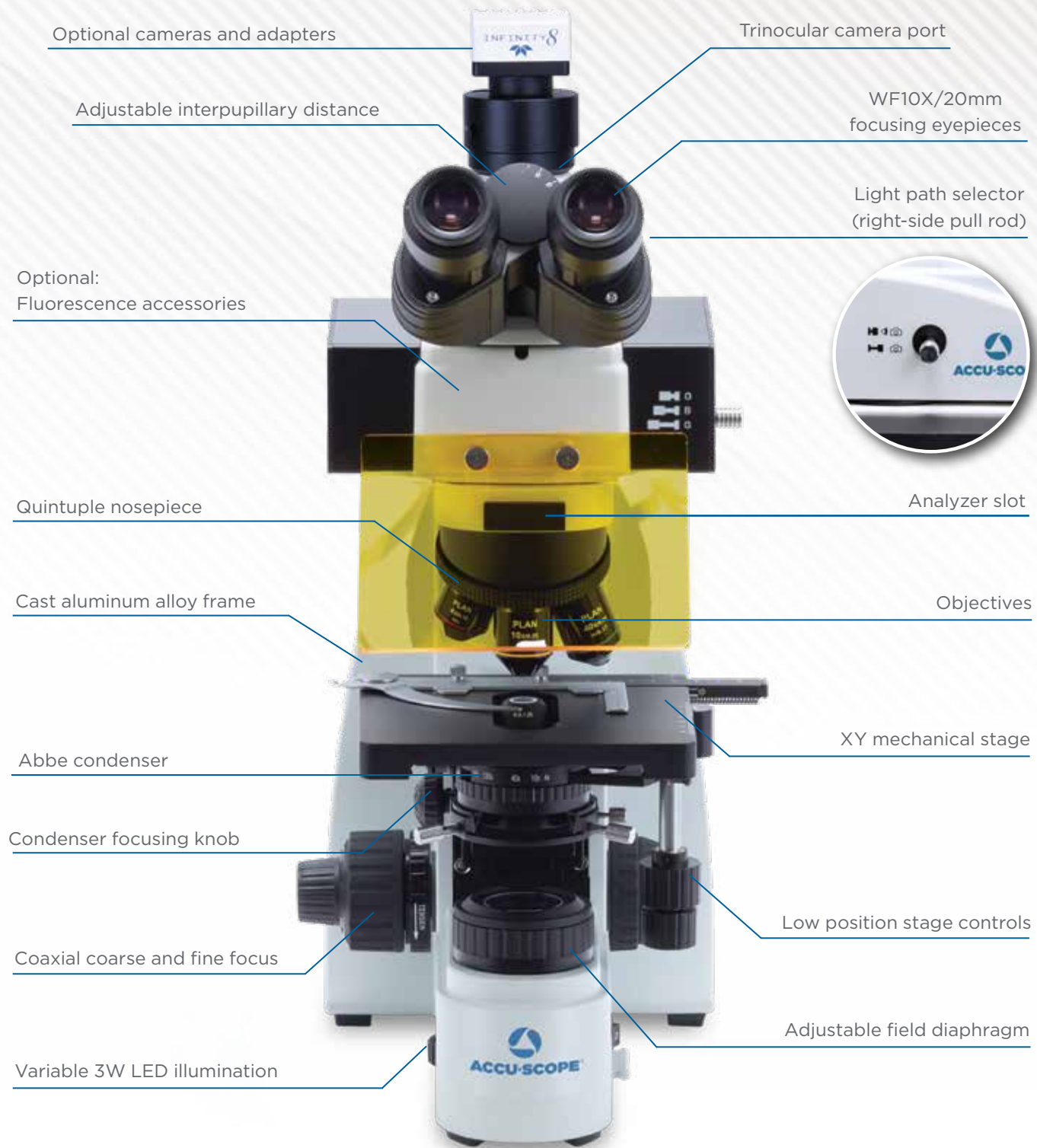
EXC-350
Clinical Microscope



Empowering Discovery. Advancing Results.

EXC-350: Dependable Routine Clinical Microscope

The EXC-350 from ACCU-SCOPE delivers a high level of optical performance, versatility and durability for clinical, veterinary and education laboratory environments. With our infinity plan objectives and brilliant LED illumination, the EXC-350 produces bright, crisp, and sharp images. The trinocular port is ready to accept a microscopy camera (requires c-mount camera adapter) for documentation, analysis, and instructional purposes.



Wide Selection of Objectives

OBJECTIVES	IMMERSION	NA	WD	COVER GLASS THICKNESS	BRIGHTFIELD	PHASE CONTRAST	FLUORESCENCE
2x Plan Achromat		0.06	18.0mm	-	●		●
4x Plan Achromat		0.10	15.0mm	-	●		●
10x Plan Achromat		0.25	10.8mm	-	●		●
20x Plan Achromat		0.40	1.5mm	0.17mm	●		●
40xR* Plan Achromat		0.65	0.8mm	0.17mm	●		●
50xR* Plan Achromat	Oil	0.95	0.18mm	0.17mm	●		●
60xR* Plan Achromat		0.85	0.3mm	0.17mm	●		●
100xR* Plan Achromat	Oil	1.25	0.21mm	0.17mm	●		●
100xR* Plan Achromat	Water	1.10	0.3mm	0.17mm	●		●
10x Plan Phase		0.25	10.8mm	-	●	●	●
20x Plan Phase		0.40	1.5mm	0.17mm	●	●	●
40xR* Plan Phase		0.65	0.8mm	0.17mm	●	●	●
100xR* Plan Phase	Oil	1.25	0.21mm	0.17mm	●	●	●
4x Plan S-APO		0.13	16.5mm	-	●		●
10x Plan S-APO		0.30	8.1mm	-	●		●
20x Plan S-APO		0.50	2.1mm	0.17mm	●		●
40xR* Plan S-APO		0.75	0.7mm	0.17mm	●		●
100xR* Plan S-APO	Oil	1.30	0.15mm	0.17mm	●		●

*Spring-loaded

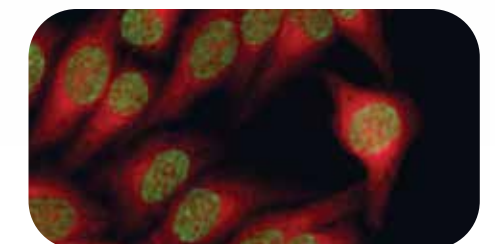
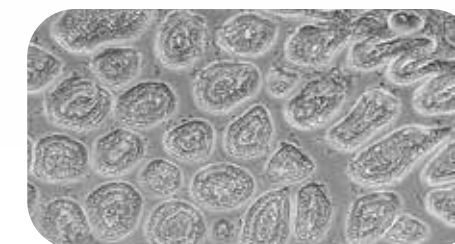
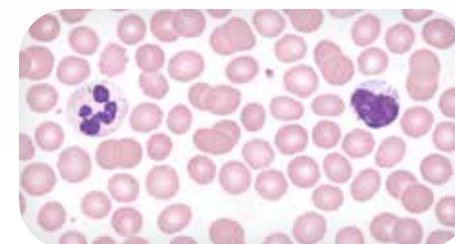
Fluorescence Observation

The EXC-350 is available with an optional 1, 2, or 3-channel fluorescence accessory with integrated LED illumination. Applications for fluorescence observation include immunostaining, fungus and bacteria identification, nucleic acids and genetics, and protein localization.



Phase Contrast & Darkfield Observation

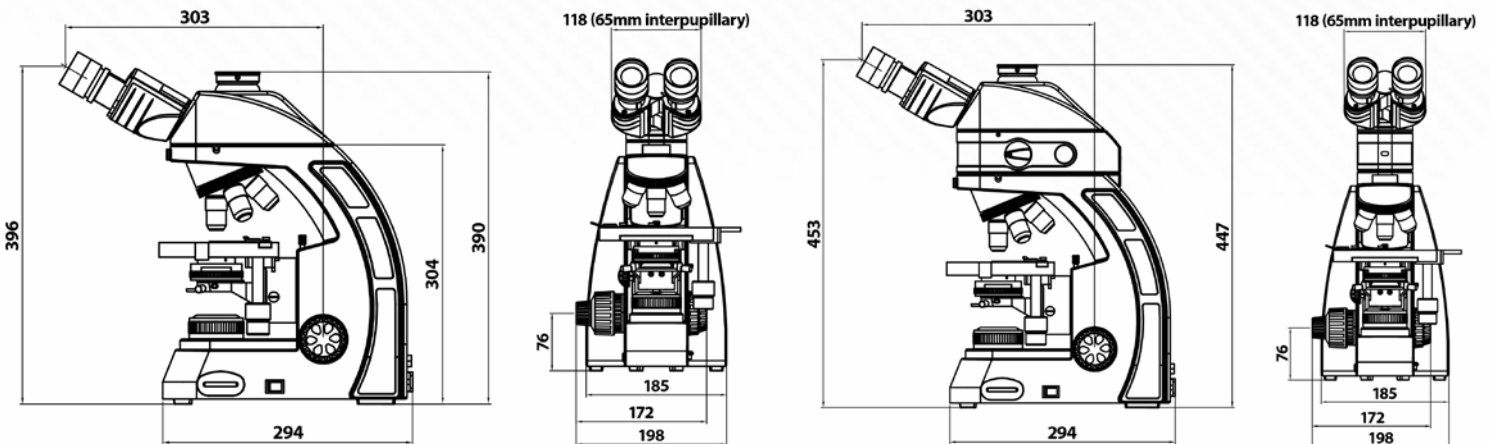
The EXC-350 is available with optional phase contrast observation for viewing phase-sensitive details in stained or unstained samples. Choose from slider or turret condenser based systems. A darkfield slider is also available.



EXC-350 Routine Clinical Microscope

SPECIFICATIONS

Viewing Body	Trinocular, Siedentopf type viewing head, inclined 30°, rotatable 360°; eyepoint height can be adjusted 180° to accommodate users of different heights; interpupillary distance adjustment 50-75mm
Optical System	Infinity optical system, f = 180mm, anti-mold
Objectives	Plan Achromat 2x, 4x, 10x, 20x, 40xR*, 50xR* oil, 60xR*, 100xR* dry, 100xR* water, 100xR* oil; Plan Phase 10x, 20x, 40xR*, 100xR* oil; Plan S-APO 4x, 10x, 20x, 40xR*, 100xR* oil <i>*Spring-loaded</i>
Eyepieces	WF10x/20mm focusable eyepieces and are locked-in to prevent tampering; eyepiece accepts a 24mm reticle (Optional 15x and 20x eyepieces are available)
Nosepiece	Rear facing quintuple, ball bearing nosepiece with positive click stops to ensure parcentration
Focusing System	Coaxial focusing system with adjustable tension control and upper limit stop to prevent accidental damage to slides; all metal gears, brass for fine focus gear
Stand	Cast alloy aluminum
Stage	Stage size 150mm x 110mm with X-Y movement range of 76mm x 50mm
Condenser	Abbe Condenser NA 1.25 (with slot for sliders) on a rack and pinion with iris diaphragm
Illumination	3 watt LED with variable intensity control; LED bulb is rated for over 25,000 hours of continued use; universal power supply 110-240V
Accessories	Dust cover, instruction manual included
Optional Accessories	Fluorescence attachments; turret phase and slider phase contrast set; darkfield slider (4x-40x); simple polarizer/analyzer, gout analyzer; reticles; cameras and adapters; microscope carry case.
Warranty	5 year limited warranty for parts, labor, and electronic components; 1 year warranty on LED bulb



Units: mm



Copyright © 2022 ACCU-SCOPE Inc. All rights reserved. Printed in the U.S.A. ACCU-SCOPE Inc. reserves the right to change and improve specifications without notice due to technological or manufacturing advances.



v101922



100 Lauman Lane, Suite A, Hicksville, NY 11801
 Tel: (877) 877-7274 | Fax: (516) 801-2046
 Email: Info@nyscopes.com
www.microscopeinternational.com